

## Rifa-lite® 55



Rifa 55 is the one of the most popular of the Lowel Rifa family. Its diffusion screen measures 21" square, making it the preferred choice in talking head interviews & tabletop lighting of smaller areas. Its collapsed size allows it to fit into most of our smaller kits & cases.



- Permanently mounted tungsten halogen lamp fixture, centered in collapsible silver aluminized high temperature Nomex® housing.
- Umbrella-like design for quick 60 second setup & strike.
- Max. 500w lamp
- State of the art woven glass fabric front diffuser offers exceptional heat resistance. Front diffuser must always be used.
- Light controlled with fold-up accessory fabric Egg Crates. Easy access pockets on fabric shell allow clip-on gel attachment for correcting to daylight.
- Light controlled with fold-up accessory fabric Egg Crates.
- A variety of kit options are available.
- Accessories include fabric Egg Crates, higher output Diffusers for sharper shadows, Balance Bar for more versatile positioning, plus many standard Lowel mounting accessories.



- >> Rifa-lite 44
- >> Rifa-lite 66
- >> Rifa-lite 88

### Rifa-lite 55

#### Rifa-lite 55

**Code: LC-55**

**Size:** 21 x 21" (53 x 53 cm), 24" (61 cm) collapsed

**Weight with 4' captive cable:** 2.5 lbs (1.1 kg)

With 4' captive cable, 16' switched #18/3 extending power cord (T1-80), light diffuser (LC-55D) and carrying sleeve. Less lamp.

**US List Price:** \$590.00

#### Rifa-lite 55 w/Lamp

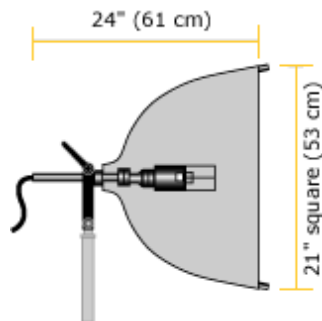
**Code: LC-551**

Same as above with 1 500w 120v Lamp (EHC)

**US List Price:** \$614.00

- ▼ Specs & Tech. data
- ▶ Lamp & Beam Data/ Performance
- ▶ Rifa-lite Controls
- ▶ Uses these Stands & Mounts
- ▶ Rifa-lite Cables & Connectors
- ▶ Fits in these Cases
- ▶ Available in these Kits

## Rifa-lite 55 Specs & Tech. Data



**Collapsed length:** 24" (61 cm)

**Front size:** 21 x 21" (53 x 53 cm)

**Max. wattage:** 500

**Max. amperage:** 4.2 at 120v

**Weight:** 2.5 lbs (1.1 kg) w/ 4' capt. cable

**U.S. Patent:** 459645